

SHEET NO - 04

TAMIL NADU
SLUM CLEARANCE BOARD

Proposed Type Design for the
construction of Library at
Perumbakkam scheme,
Sholinganallur Taluk,
Kancheepuram District,
Chennai.

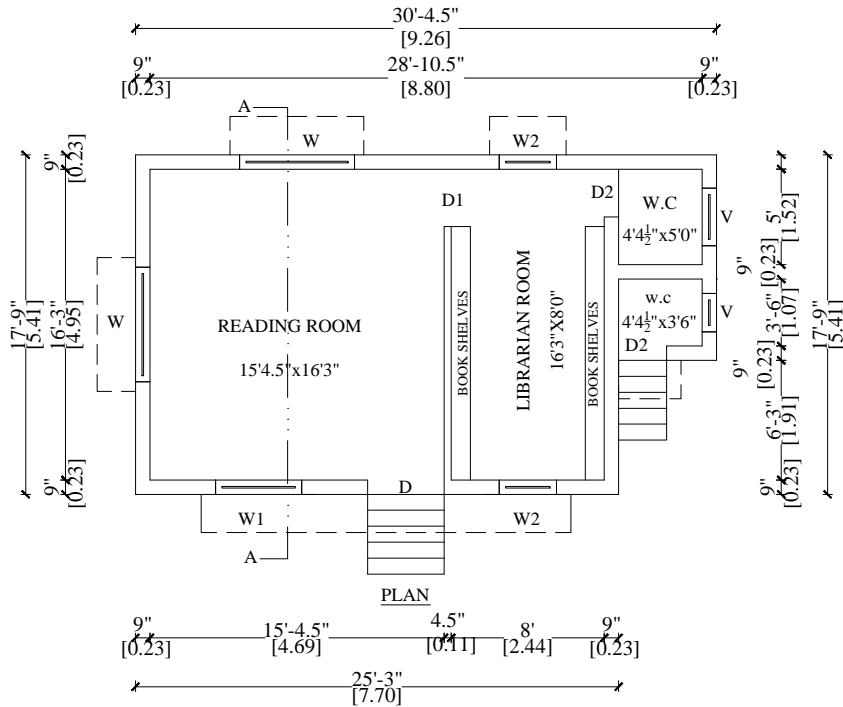
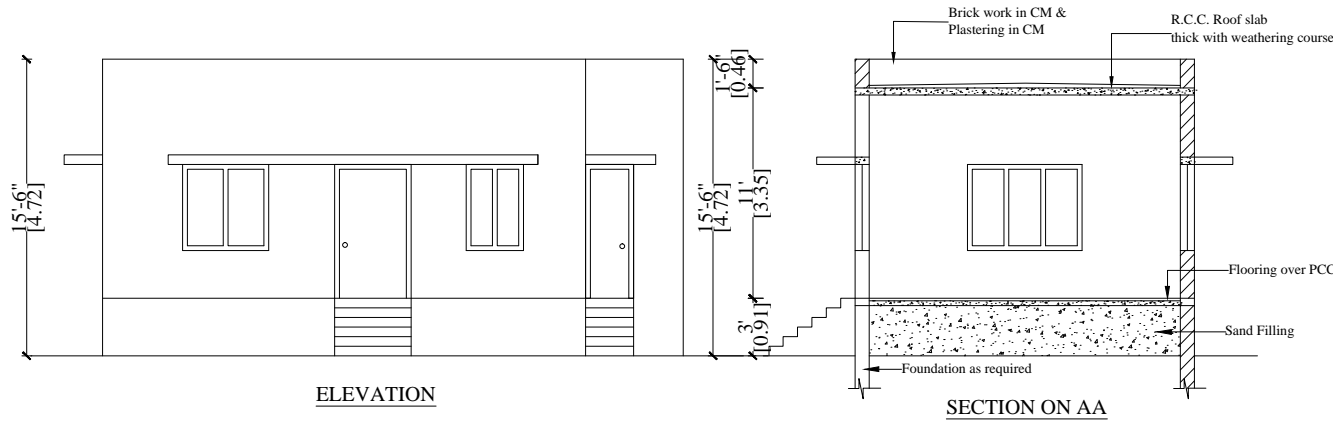
REFERENCE:

- D - Door - 1.22 x 2.13(4'0"x7'0")
- D1 - Door - 0.91 x 2.13(3'0"x7'0")
- D2 - Door - 0.76 x 2.13(2'6"x7'0")
- W - Window - 1.37 x 1.37(4'6"x4'6")
- W1 - Window - 0.91 x 1.07(3'0"x3'6")
- V - Ventilator - 0.91 x 0.61(3'0"x2'0")

AREA DETAILS:

Plinth Area - 46.75 Sq.m
Extent - 112.63 Sq.m

SCALE - 1:100



PLANNING ASST.	ASST.PLANNER
DEPUTY PLANNER	CHIEF ENGINEER